



# AD SPECS 2022

**Ad deadline is August 10, 2022**  
**All print-ready artwork must be delivered on or before this date.**

## Ad Sizes

**Full Page Ad (with bleed):**  
7" X 8 1/2" (trim size)  
Include a 1/8" Bleed on each side

**Full Page Ad (without bleed):**  
6 1/2" X 8"

<b>Half</b>	<b>Page</b>	<b>Ad:</b>
6 1/2" X 3 7/8"		

## File Formats

**PDF (recommended format):**  
Press Quality PDF, CMYK color space, imagery embedded, typography outlined.

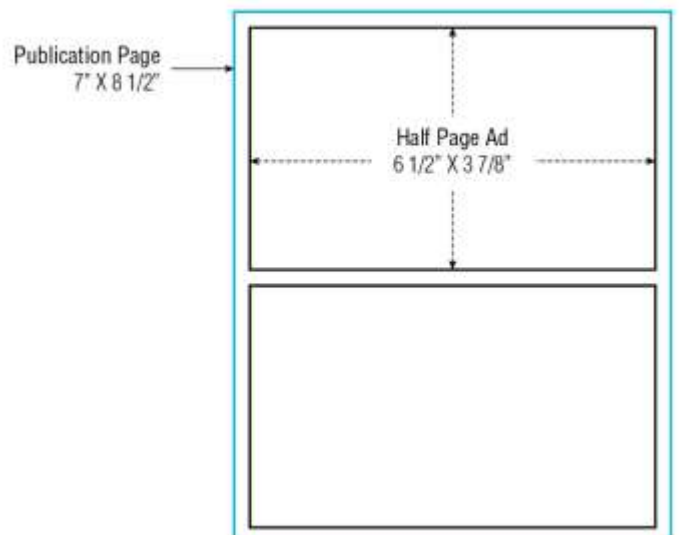
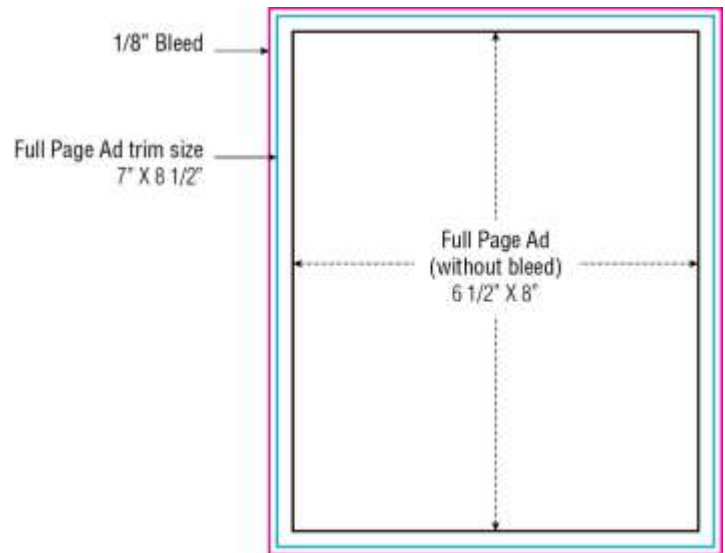
**JPG:**  
CMYK color space, 600ppi.

*Note: Due to the rasterization of JPG files, image and text quality could be compromised, and a press quality PDF is recommended.*

Ads provided in any other format will not be accepted.

Artwork should be uploaded to the [ONLINE ASSETS FORM](#)

If you have any problems with file size when uploading your artwork, please email [stacey@iplanitmeetings.com](mailto:stacey@iplanitmeetings.com).



**Ad deadline is August 10, 2022**  
**All print-ready artwork must be delivered on or before this date.**